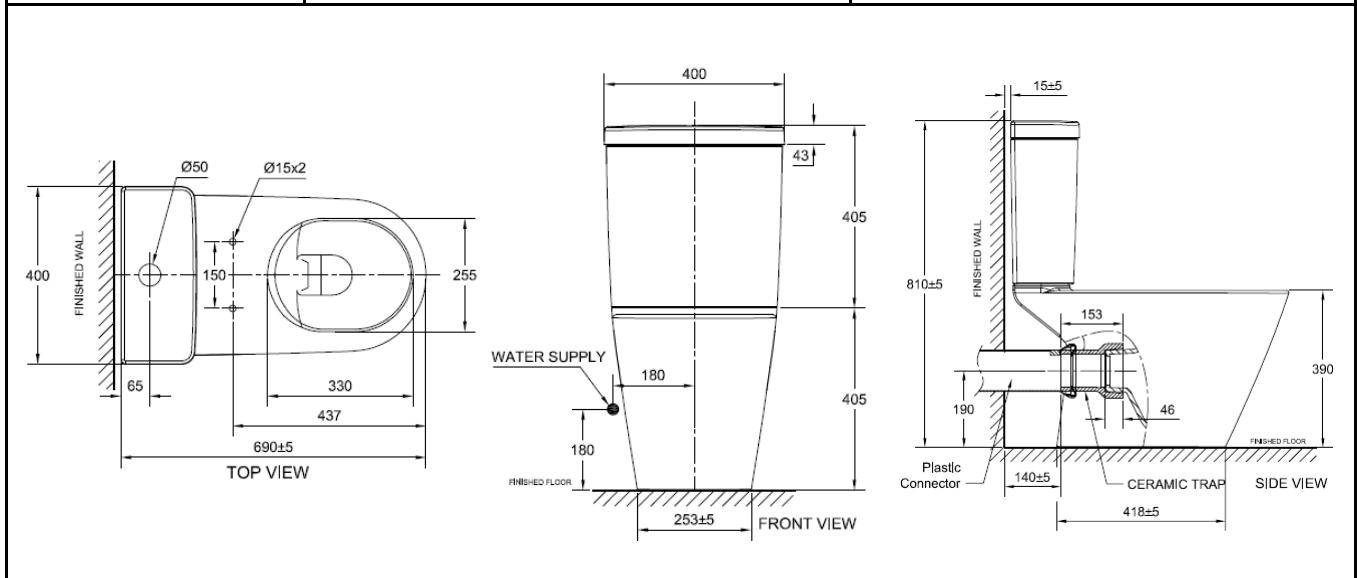




PROJECT		REF		REV	ITEM CODE	
LOCATION		DATE			PAGE	

SANITARY WARE SPECIFICATION SHEET

<p>Item Descriptions</p> <p>Outlet</p> <p>Dimensions</p> <p>Model</p> <p>Material / Color</p> <p>Manufacturer</p> <p>Source</p> <p>Contact Tel/Fax</p> <p>E-mail</p> <p>Website</p>	<p>American Standard (Thailand) "Tonic New Wave" Close-coupled watercloset with Integrated P-trap & built-in automatic sensor and manual operation override button in DC supply; ComfortClean Technology against stain, bacteria and germs; nominated flow rate 6 LPF in WELS Grade 3; Registration No. WC 21-0167</p> <p>H.O. Trapway, 190 mm</p> <p>L689 x W400 x H810 mm</p> <p>TF2102P (Watercloset) EM6006.017 (Sensor)</p> <p>Vitreous China / White</p> <p>American Standard (Thailand)</p> <p>Acme Sanitary Ware Co. Ltd Mr. Eric Wong/ Mr. Don Yuen (852) 2388-7171 / (852) 2710-8012 acme@acmesanitary.com.hk www.acmesanitary.com.hk</p>	<p align="center">Illustration/ Drawing</p>
---	--	---



Note: TF2102P watercloset = TF3104P (WC Pan) + TF4102 (Cistern)

* All information of the above is for the reference only. No prior notice is made if any changes.



PROJECT		REF		REV	ITEM CODE	
LOCATION		DATE			PAGE	

SANITARY WARE SPECIFICATION SHEET

<p>Item Descriptions</p> <p>EMCA (PRC) Automatic sensor toilet flushing system in DC Supply with 1 x 6v lithium batteries</p> <p>Dimensions</p> <p>L50 x W50 x H3 mm (Sensor Eye)</p> <p>Detection Zone</p> <p>100-120 mm</p> <p>Model</p> <p>EM6006.017</p> <p>Finish</p> <p>Plastic</p> <p>Manufacturer</p> <p>EMCA (PRC)</p> <p>Source</p> <p>Acme Sanitary Ware Co. Ltd Mr. Eric Wong/ Mr. Don Yuen</p> <p>Contact Tel/Fax</p> <p>(852) 2388-7171 / (852) 2710-8012</p> <p>E-mail</p> <p>acme@acmesanitary.com.hk</p> <p>Website</p> <p>www.acmesanitary.com.hk</p>	<p align="center">Illustration/ Drawing</p>
<p>Features:</p> <ul style="list-style-type: none"> · 100% touch-free, germ free system · Smart Proximity Infrared Sensors · Retrofit design easy installation for single flush valves · Power drive motor unit hide inside the toilet tank · Manual override flush function · Fit most WC in top push button tank · Battery last up to 50000 flushes <p>Package Includes:</p> <ul style="list-style-type: none"> · Chrome Flush Button with built-in sensor · Power drive motor unit · Battery · Sleeve for fast installation · Adjustable rod for manual flush 	

Note:

* All information of the above is for the reference only. No prior notice is made if any changes.



自願參與用水效益標籤計劃 - 水廁
Voluntary Water Efficiency Labelling Scheme - Water Closets



茲證明

This is to certify that

(TF2102P=TF3104P+TF4102)

Acme Sanitary Ware Company Limited

將下列水廁在本計劃內註冊：
has registered the following water closet under this scheme :

- 牌 子 / Brand : American Standard + WDI
- 型 號 / Model : TF3104P + TF4102 + B4018
- 種 類 / Category : Close-coupled Suite
- 原 產 地 / Country or Region Origin : Thailand (WC Pan & Cistern)
China (Flushing Valve)

- 在用水效益標籤上展示的標誌
Symbolic Presentation on the Water Efficiency Label : 滴水點 *Water droplet(s)*
- 用水效益級別
Water Efficiency Grade : 3
- 全沖水量
Water Flush Volume (Full) : 6.0 公升沖廁 *litres/flush*
- 低沖水量
Water Flush Volume (Reduced) : Not Specified 公升沖廁 *litres/flush*

簽發日期:
Date of Issue: 19 April 2021





水務署署長(張業駒代行)
for Director of Water Supplies

+ 上述水廁具額外節水功能，即：取用洗滌水作沖廁用途。
The above water closet is equipped with additional water saving feature, that is: re-use the water collected from wash basin for flushing purpose.



PROJECT		REF		REV	ITEM CODE	
LOCATION		DATE			PAGE	

SANITARY WARE SPECIFICATION SHEET

Item Descriptions	American Standard (PRC) 5/8" Plastic float operated inlet valve	Illustration/ Drawing
Model	PC-A1250	
Material	Plastic	
Manufacturer	American Standard (PRC)	
Supplier	Acme Sanitary Ware Co. Ltd Mr. Eric Wong/ Mr. Don Yuen	
Contact Tel/Fax	(852) 2388-7171 / (852) 2710-8012	
E-mail	acme@acmesanitary.com.hk	
Website	www.acmesanitary.com.hk	
		

Note: The color of the above fittings may be varied without further notice.

* All information of the above is for the reference only. No prior notice is made if any changes.



水務署
Water Supplies Department

總部 Headquarters

香港灣仔告士打道七號入境事務大樓 48 樓

48/F Immigration Tower, 7 Gloucester Road, Wan Chai, Hong Kong

本署檔
Our ref.
來函檔
Your ref.



WSD 21/2022 T/J(1114/2022)

電話

Tel.

傳真

Fax.

: 2824 0578

4 January 2023

**Approval of “AMERICAN STANDARD” Float Operated Valve
(General Acceptance No. C20230001F)**

Your letters ref. WRC/2778 and C-WSD/0976 dated 23 September 2022 and 29 November 2022 respectively refer.

Having considered the test report ref. J27710 issued on 28 April 2022 by Nutek Systems (HK) Limited, this Authority accepts that the fitting described below complies with, and its use when correctly installed does not contravene, the Waterworks Ordinance and Regulations.

Name of Manufacturer: Xiamen R&T Plumbing Technology Co Ltd
Country of Origin: the Mainland of China
Brand: American Standard
Details of Fitting: 5/8" Plastic float operated valve
Model: PC-A1250
Body Markings: Nil
Expiry Date: 20 April 2027



Proviso: As the fitting has not been tested for use in contact with water intended for human consumption, the fitting can only be used in flushing water plumbing systems.

This Authority hereby permits the use of the above fitting in flushing water plumbing systems subject to full adherence to Waterworks installation requirements. In particular, you are required to draw your customers' attention to the following requirement-

"The flushing volume of the flushing valve should be adjusted to suit the design of the toilet bowl so that wastes can be cleared effectively by a single flush."

"The fitting should be used within the range of working pressures specified by the manufacturer." AND

"The installed fitting should not result in backflow of water that will contaminate the flushing water supply."

A condition of this acceptance is that the fitting to be installed shall be replicas of the sample as certified by the testing agent mentioned above and without modifications. This acceptance may be withdrawn at any time if the standard of the fitting installed fails to meet that of the approved sample or if the fitting is found to be unsuitable for use in flushing water plumbing systems.

For the use of the fitting in any project, the General Acceptance Number of this letter must be quoted as a means of identification of acceptance of the fitting by this Authority.

Should you have any enquiries, please contact our Engineer Ms Winnie LO at tel. no. 3583 4086.

Yours faithfully,



(YAU Hau Yin)

for Director of Water Supplies

Encl.

c.c. WSD 3321/1/82] - without catalogue
ME/MC] - with soft copy only



Acme Sanitary Ware Co. Ltd.

1/F, Acme Building, 22-28 Nanking Street, Kowloon, Hong Kong


Tel: 2388 7171 Fax: 2710 8012

Email: acme@acmesanitary.com.hk

Website: www.acmesanitary.com.hk

PROJECT		REF		REV	ITEM CODE	
LOCATION		DATE			PAGE	

SANITARY WARE SPECIFICATION SHEET

Item Descriptions	Meitu (PRC) Plastic single flush valve	Illustration/ Drawing
Model	P10	
Material	Plastic	
Manufacturer	Meitu (PRC)	
Supplier	Acme Sanitary Ware Co. Ltd Mr. Eric Wong/ Mr. Don Yuen	
Contact Tel/Fax	(852) 2388-7171 / (852) 2710-8012	
E-mail	acme@acmesanitary.com.hk	
Website	www.acmesanitary.com.hk	

Note: The color of the above fittings may be varied without further notice.

* All information of the above is for the reference only. No prior notice is made if any changes.



水務署
Water Supplies Department

總部 Headquarters

香港灣仔告士打道七號入境事務大樓 48 樓

7 Gloucester Road, Wan Chai, Hong Kong



本署
Our ref.
來函標號
Your ref.

321/2021 T/J(470/2021)

電話
Tel.
傳真
Fax

: 2824 0578

16 April 2021

Dear Sir,

**Approval of "MEITU" Flush Valve
(General Acceptance No. C20210394F)**

Your letters both ref. WRC/21001 dated 16 March 2021 and 29 March 2021 refer.

Having considered the test report ref. J25842 issued on 12 March 2021 by Nutek Systems (HK) Limited, this Authority accepts that the fitting described below complies with, and its use when correctly installed does not contravene, the Waterworks Ordinance and Regulations.

Name of Manufacturer: Zhongshan Meitu Plastic Ind Co Ltd

Country of Origin: the Mainland of China

Brand: Meitu

Details of Fitting: 2" Plastic single flush valve

Model: P10

Body Markings: **MEITU**

Expiry Date: 20 December 2025



Proviso: As the fitting has not been tested for use in contact with water intended for human consumption, the fitting can only be used in flushing water plumbing system.

This Authority hereby permits the use of the above fitting in flushing water plumbing systems subject to full adherence to Waterworks installation requirements. In particular, you are required to draw your customers' attention to the following requirement-

"The flushing volume of the flushing valve should be adjusted to suit the design of the toilet bowl so that wastes can be cleared effectively by a single flush."

"The fitting should be used within the range of working pressures specified by the manufacturer." AND

"The installed fitting should not result in backflow of water that will contaminate the flushing water supply."

A condition of this acceptance is that the fitting to be installed shall be replicas of the sample as certified by the testing agent mentioned above and without modifications. This acceptance may be withdrawn at any time if the standard of the fitting installed fails to meet that of the approved sample or if the fitting is found to be unsuitable for use in flushing water plumbing systems.

For the use of the fitting in any project, the General Acceptance Number of this letter must be quoted as a means of identification of acceptance of the fitting by this Authority.

Should you have any enquiries, please contact our Engineer Mr. Terry KUNG at tel. no. 3583 4086.

Yours faithfully,



(Roger WONG)

for Director of Water Supplies

Encl.

c.c. WSD 3321/1/82] - without catalogue
ME/MC] - with soft copy only